



see. control. automate.



NELA Punch & Bending Devices

## NELA D-Leafer

Automatic removal of “Interleafing Paper” from Between Process-Free Offset Printing Plates

The NELA D-Leafer combines all the necessary features of a fully automatic Interleafing paper remover at a value previously unavailable.

A stack of paper interleaved plates are placed on the D-Leafer's tabletop. A reciprocating pick-and-place unit gently picks each plate individually, allowing for the interleafing paper to be blown into a disposal/recycling bin. Plates are then restacked onto an ergonomic and convent rolling cart.

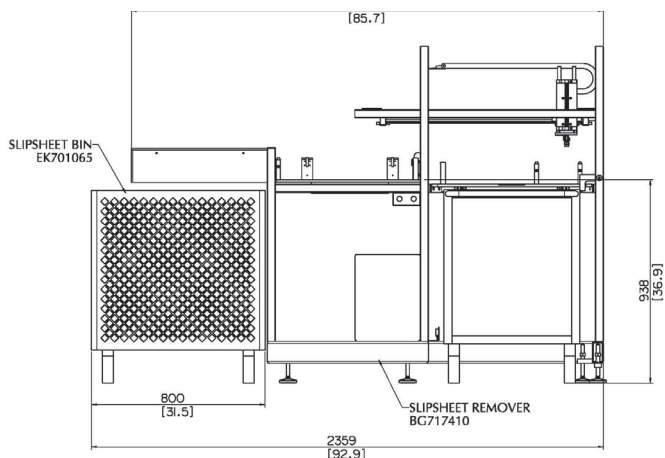


SPD 300



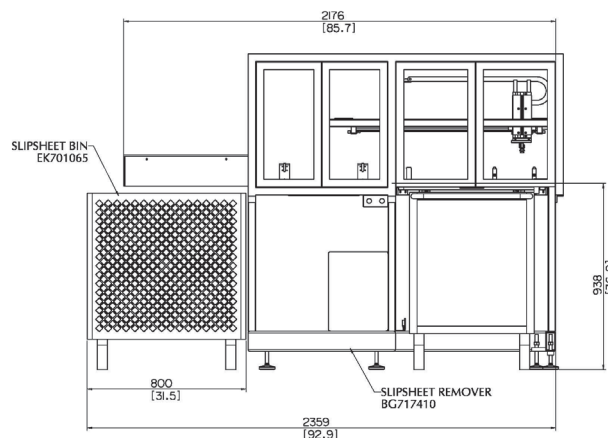
# NELA Punch & Bending Devices

## NELA D-Leafer | 2 models available



### SPD-300

Rated at up to 300 Plates/Hour



### HSPD-450

Rated at up to 450 Plates/Hour

#### Reliability

All parts in the NELA D-Leafer are developed and designed according to the latest state of art technology and manufactured with highest precision. NELA quality is guaranteed for the manufacturing of the NELA D-Leafer, ensuring a trouble free operation for years to come.

#### Our Service - Your Advantage

- Responsive, expert consulting
- Spare parts available in 24 hours or less

#### Standard Features

- For single and double width plates
- Standard configuration - One plate size
- Capacity 285 .2mm plates
- Minimum Plate Size: 266 x 483mm (10.5" x 19")
- Maximum Plate Size: 610 x 965mm (24" x 38")

#### Utilities Required

Electrical: 110V  
Single Phase  
4 Amps

Air: 110 psi @ 10 cfm

#### Optional Features

- Multiple plate sizes



#### NELA - Who we are:

The NELA group, consisting of NELA Brüder Neumeister GmbH, NELA USA and NELA Asia, forms one of the largest manufacturer of high-quality optical control devices for industrial applications, process control and automation. NELA Register systems include inline punch-bending machines, both for newspaper and commercial printing and plate automation and transport systems. With more than 2000 installations around the world, NELA is the technology leader in their field; with presence in all 5 continents.



www.nela-usa.com  
E-mail: info@nela-usa.com

NELA USA  
610 Whitetail Boulevard  
River Falls, WI 54022  
Phone 715.425.1900  
Fax 715.425.1901

see. control. automate.

